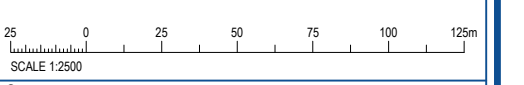


FOR CONSTRUCTION

- Legend/Notes**
- NOTE**
1. ALL UNITS IN METRES U.N.O.
 2. PRE-MINE TOPOGRAPHY PROVIDED BY AGNICO EAGLE.
 3. MINE LAYOUT AND CONFIGURATION PROVIDED BY AGNICO EAGLE.
 4. WASTE ROCK STORAGE FACILITY DESIGN PROVIDED BY AGNICO EAGLE.
 5. REFER TO DWG. 948-011-013 FOR COVER SYSTEM DETAILS.
 6. REFER TO APPENDIX A OF DOCUMENT 948-011-M-007-REV 2 FOR ALL TECHNICAL SPECIFICATIONS RELATED TO COVER SYSTEM CONSTRUCTION.
 7. ALL COORDINATES ARE REFERENCED IN NAD83 ZONE 15.

- LEGEND**
- EXISTING CONTOUR
 - DESIGN CONTOUR
 - COVERED LANDFORM FOOTPRINT
 - PERIMETER ACCESS ROAD
 - MAIN ACCESS ROAD
 - WATERSHED DIVIDE
 - WATER BODY OUTLINE



Stamp

PERMIT TO PRACTICE
 M. A. OKANE CONSULTANTS INC.
 Date: DEC 17 2019
 PERMIT NUMBER: P 708
 P.E. (Assoc. of Professional Engineers and Geoscientists)

Revision	Description	Date
3		
2		
1		
0	ISSUED FOR CONSTRUCTION	2019/12/16
A	ISSUED FOR CLIENT REVIEW	2019/08/20

AGNICO EAGLE

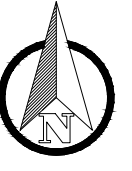
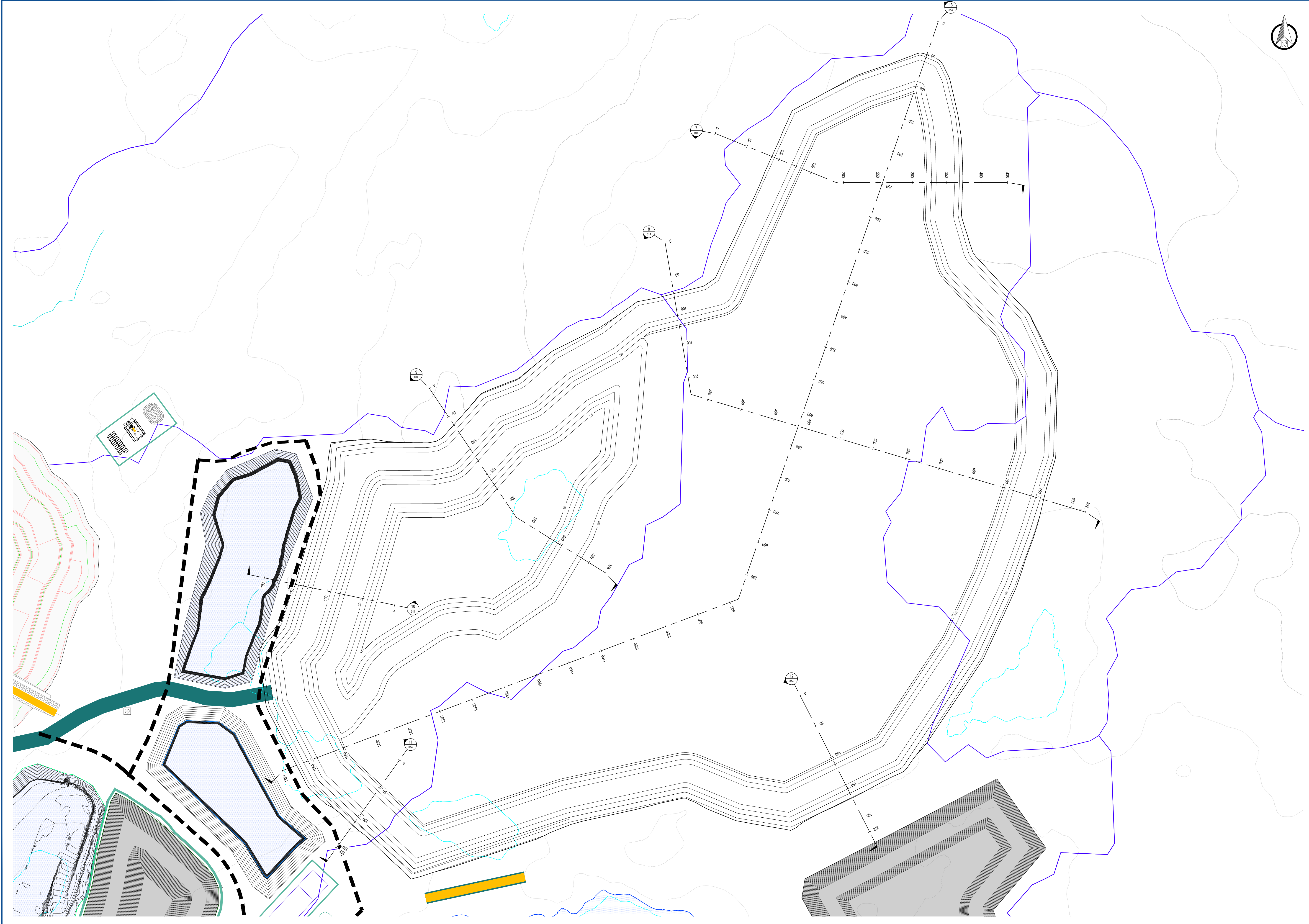
AGNICO EAGLE
 WHALE TAIL AND IVR
 COVER SYSTEM DESIGN

Drawn by: H. COOPER
 Designed by: G. ALLEN
 Approved by: M. OKANE, P. Eng.

Drawing title: WHALE TAIL COVER SYSTEM - PLAN

Project no: 948-011	Drawing no: 948-011-011	Sheet: ANSI D	Revision: 0
------------------------	----------------------------	------------------	----------------

Civil Number: 948-011-011.dwg
 Last Saved: 21/12/2019 2:23 PM



FOR CONSTRUCTION

- Legend/Notes**
- NOTE**
1. ALL UNITS IN METRES U.N.O.
 2. PRE-MINE TOPOGRAPHY PROVIDED BY AGNICO EAGLE.
 3. MINE LAYOUT AND CONFIGURATION PROVIDED BY AGNICO EAGLE.
 4. WASTE ROCK STORAGE FACILITY DESIGN PROVIDED BY AGNICO EAGLE.
 5. REFER TO DWG. 948-011-014 FOR COVER SYSTEM DETAILS.
 6. REFER TO APPENDIX A OF DOCUMENT 948-011-M-007-REV 2 FOR ALL TECHNICAL SPECIFICATIONS RELATED TO COVER SYSTEM CONSTRUCTION.
 7. ALL COORDINATES ARE REFERENCED IN NAD83 ZONE 15.

- LEGEND**
- EXISTING CONTOUR
 - DESIGN CONTOUR
 - COVERED LANDFORM FOOTPRINT
 - PERIMETER ACCESS ROAD
 - MAIN ACCESS ROAD
 - WATERSHED DIVIDE
 - WATER BODY OUTLINE

SCALE 1:2000



PERMIT TO PRACTICE
 M. A. OKANE CONSULTANTS INC.
 Date: Dec 17, 2019
 PERMIT NUMBER: P 708
 P.E. (Assoc.) Association of Professional Engineers and Geoscientists

3		
2		
1		
0	ISSUED FOR CONSTRUCTION	2019/12/16
A	ISSUED FOR CLIENT REVIEW	2019/08/20
Revision	Description	Date



AGNICO EAGLE
 WHALE TAIL AND IVR
 COVER SYSTEM DESIGN

Drawn by: H. COOPER
 Designed by: G. ALLEN
 Approved by: M. OKANE, P. Eng.

IVR COVER SYSTEM - PLAN

Project no. 948-011	Drawing no. 948-011-012	Sheet ANSI D	Revision 0
------------------------	----------------------------	-----------------	---------------

L:\01\948-011\012.dwg
 2019/12/16 10:23:37 AM
 M. OKANE



FOR CONSTRUCTION

Legend/Notes

NOTE

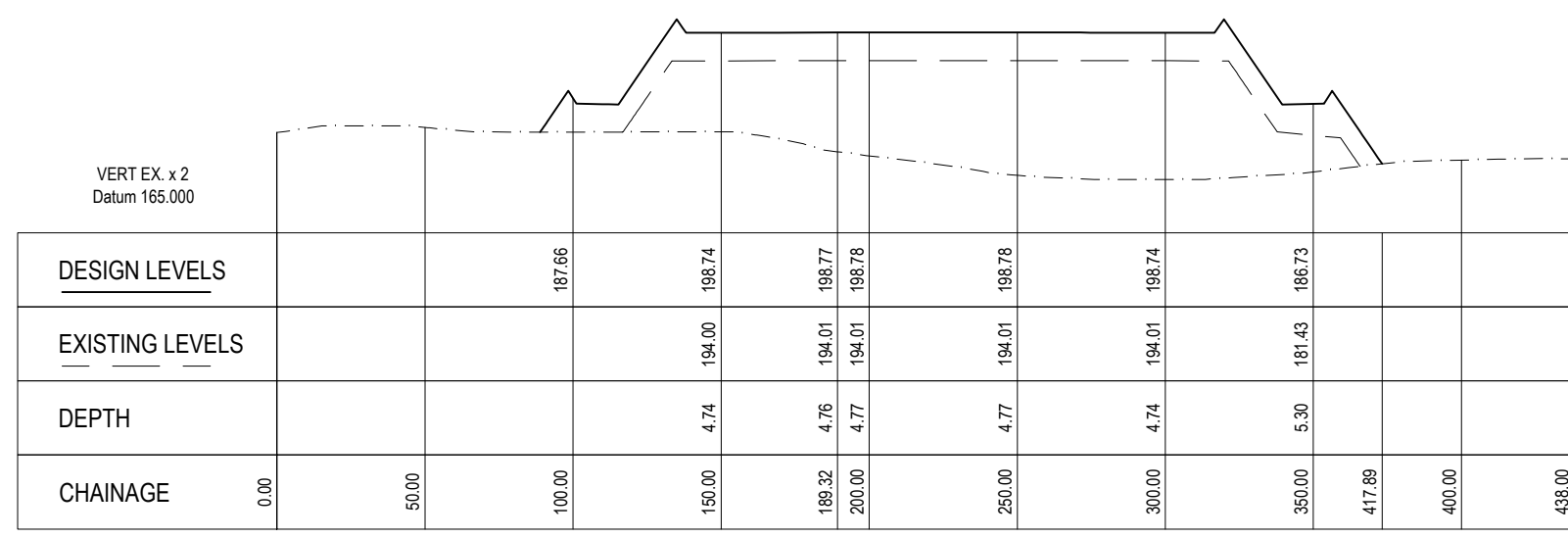
- ALL UNITS IN METRES U.N.O.
- PRE-MINE TOPOGRAPHY PROVIDED BY AGNICO EAGLE
- MINE LAYOUT AND CONFIGURATION PROVIDED BY AGNICO EAGLE
- WASTE ROCK STORAGE FACILITY DESIGN PROVIDED BY AGNICO EAGLE
- REFER TO DWG. 948-011-011 FOR COVER SYSTEM PLAN VIEW
- REFER TO APPENDIX A OF DOCUMENT 948-011-M-007-REV 2 FOR ALL TECHNICAL SPECIFICATIONS RELATED TO COVER SYSTEM CONSTRUCTION
- ALL COORDINATES ARE REFERENCED IN NAD83 ZONE 15.

LEGEND

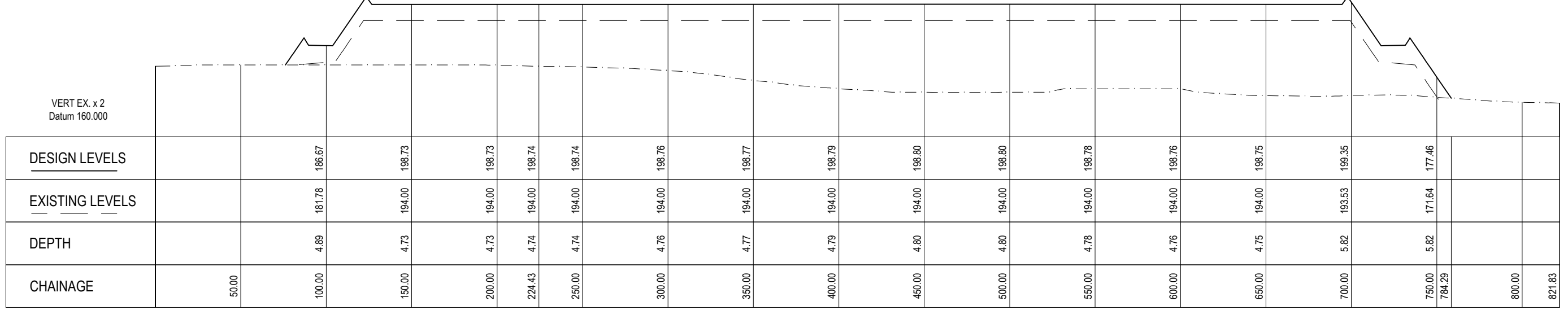
EXISTING SURFACE ———

WRSF DESIGN SURFACE - - - - -

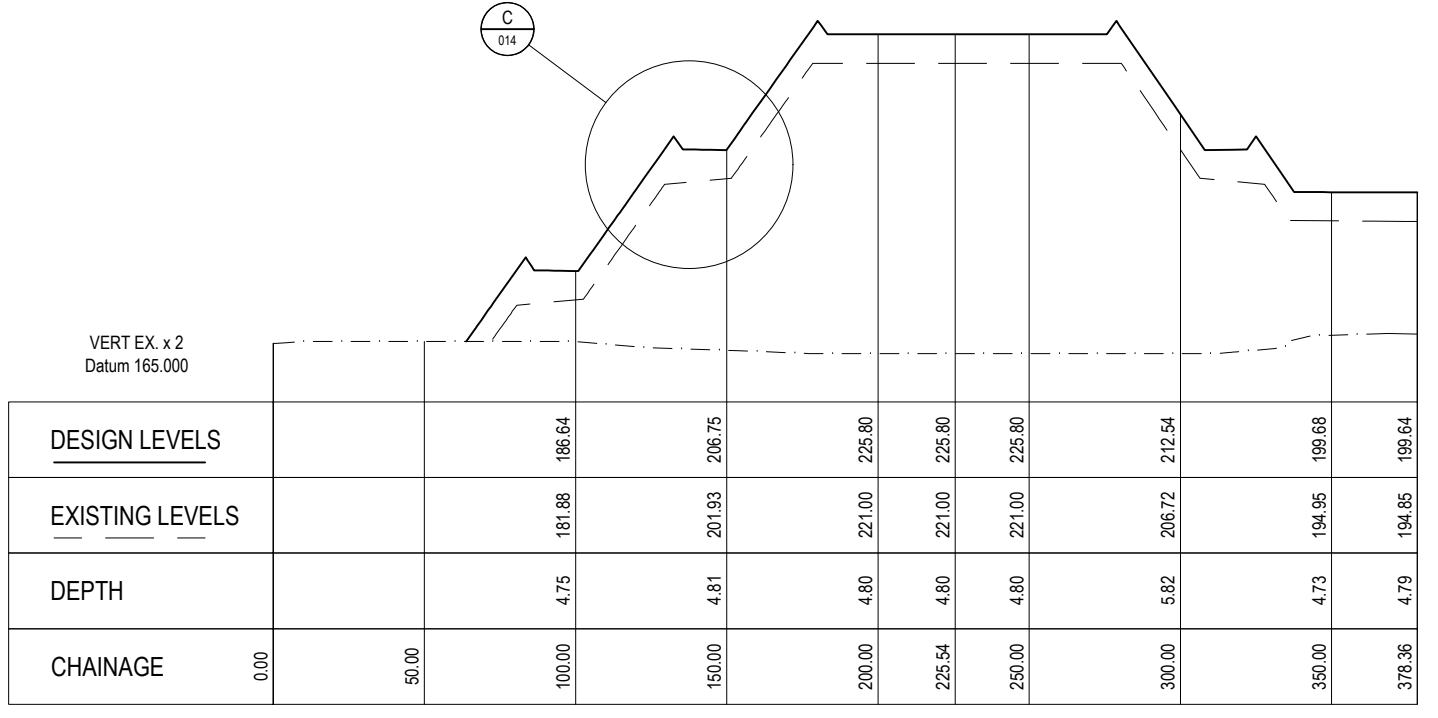
WRSF COVER SYSTEM DESIGN SURFACE ———



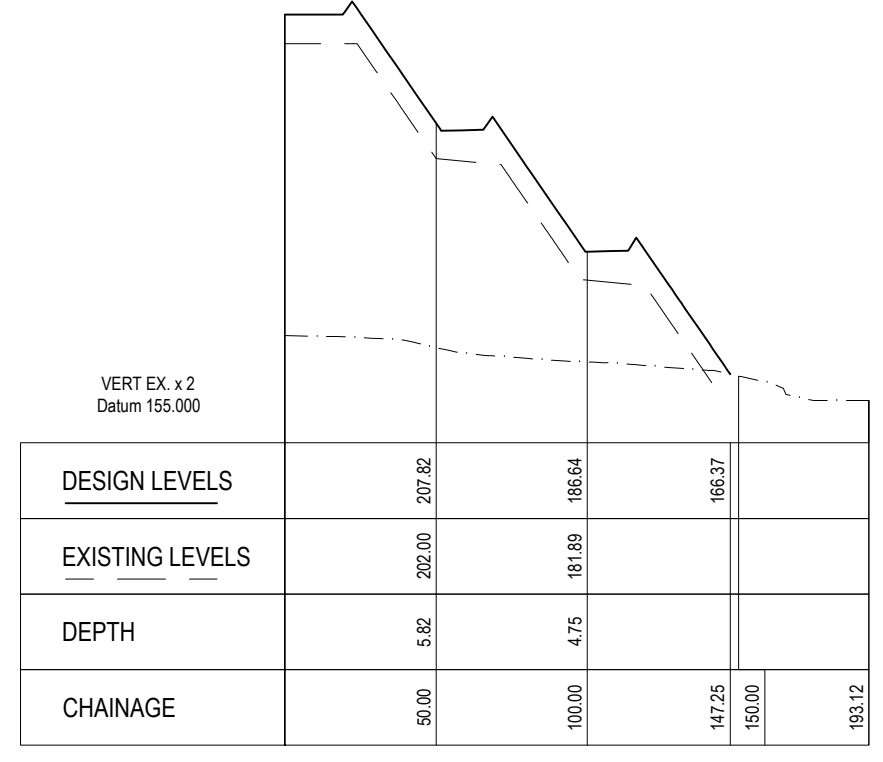
SECTION 7
1:2500



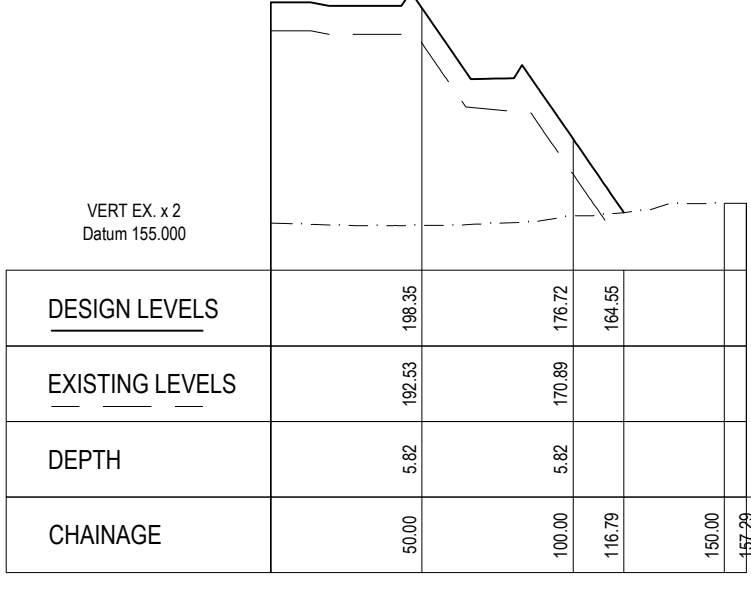
SECTION 8
1:2500



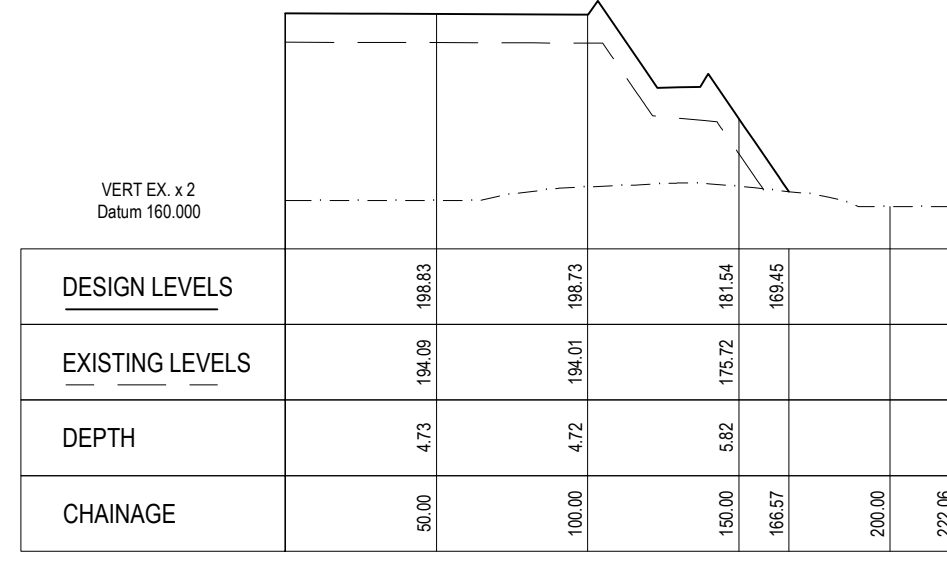
SECTION 9
1:2500



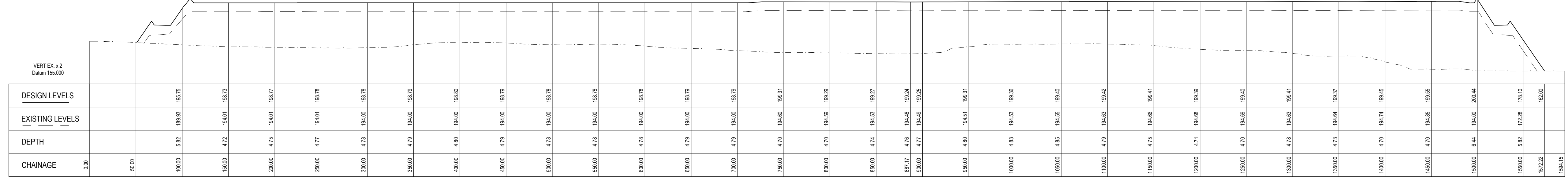
SECTION 10
1:2500



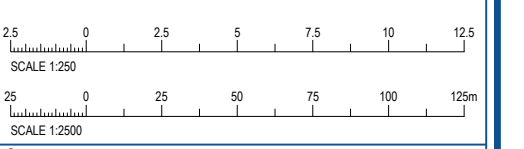
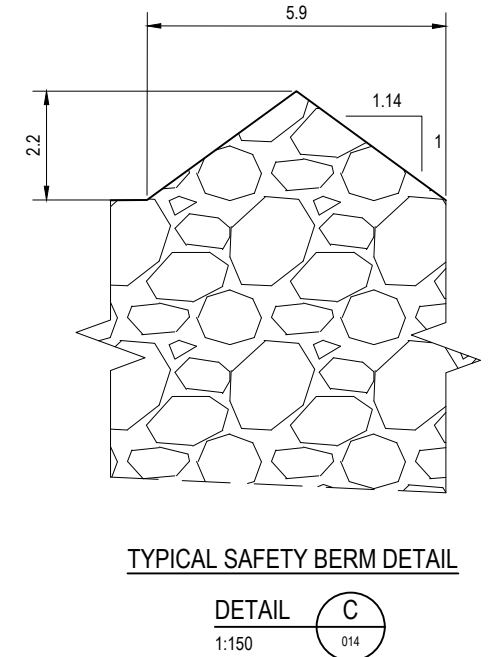
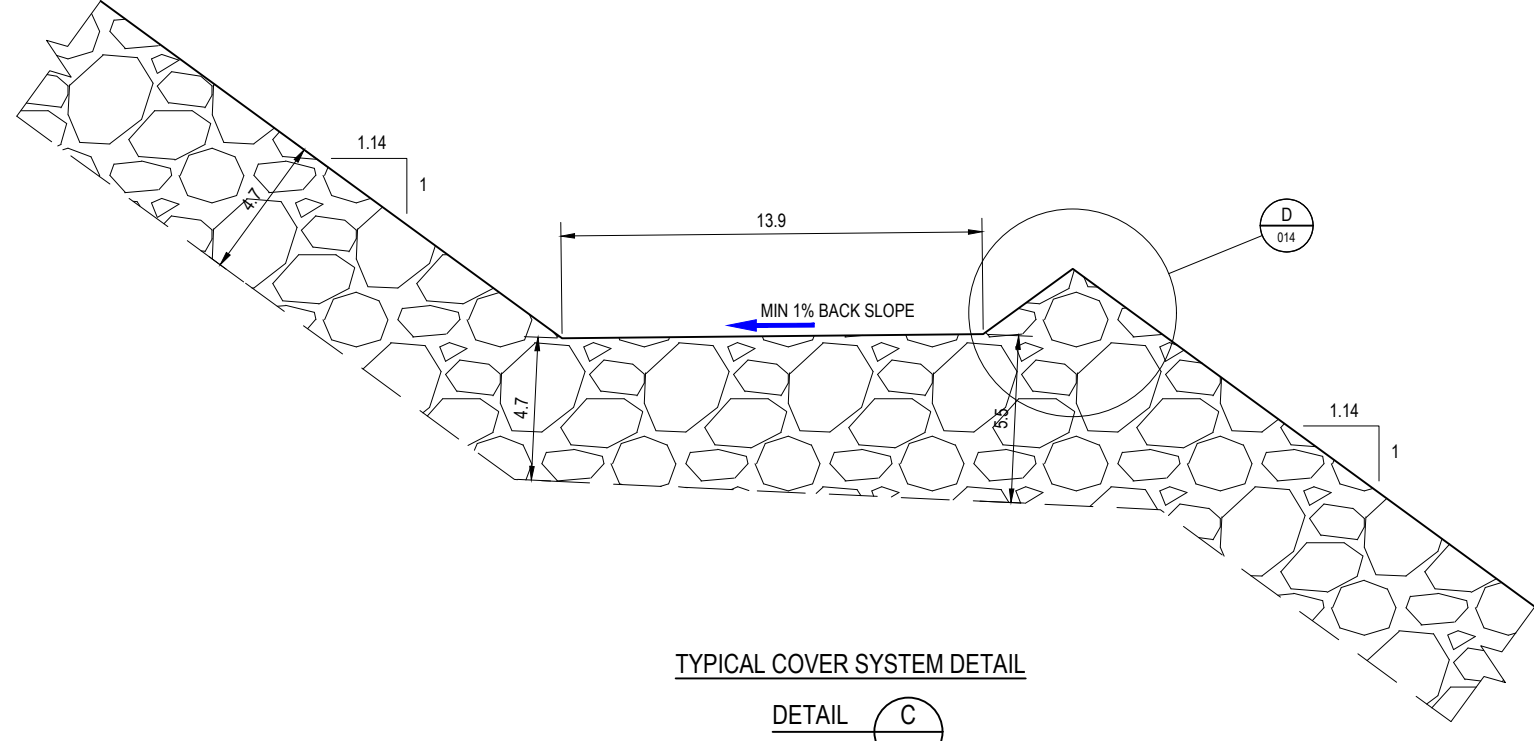
SECTION 11
1:2500



SECTION 12
1:2500



SECTION 13
1:2500



Stamp

PERMIT TO PRACTICE
M. A. OKANE CONSULTANTS INC.
Date: 08/17/2019
PERMIT NUMBER: P 708
P.E. (Professional Engineer)
Engineers and Geoscientists

3		
2		
1		
0	ISSUED FOR CONSTRUCTION	2019/12/16
A	ISSUED FOR CLIENT REVIEW	2019/08/20
Revision	Description	Date

AGNICO EAGLE

AGNICO EAGLE
WHALE TAIL AND IVR
COVER SYSTEM DESIGN

Drawn by: H. COOPER
Designed by: G. ALLEN
Approved by: M. OKANE, P. Eng
Drawing title: IVR WRSF TYPICAL SECTIONS

Project no: 948-011 | Drawing no: 948-011-014 | Sheet: ANSI D | Revision: 0