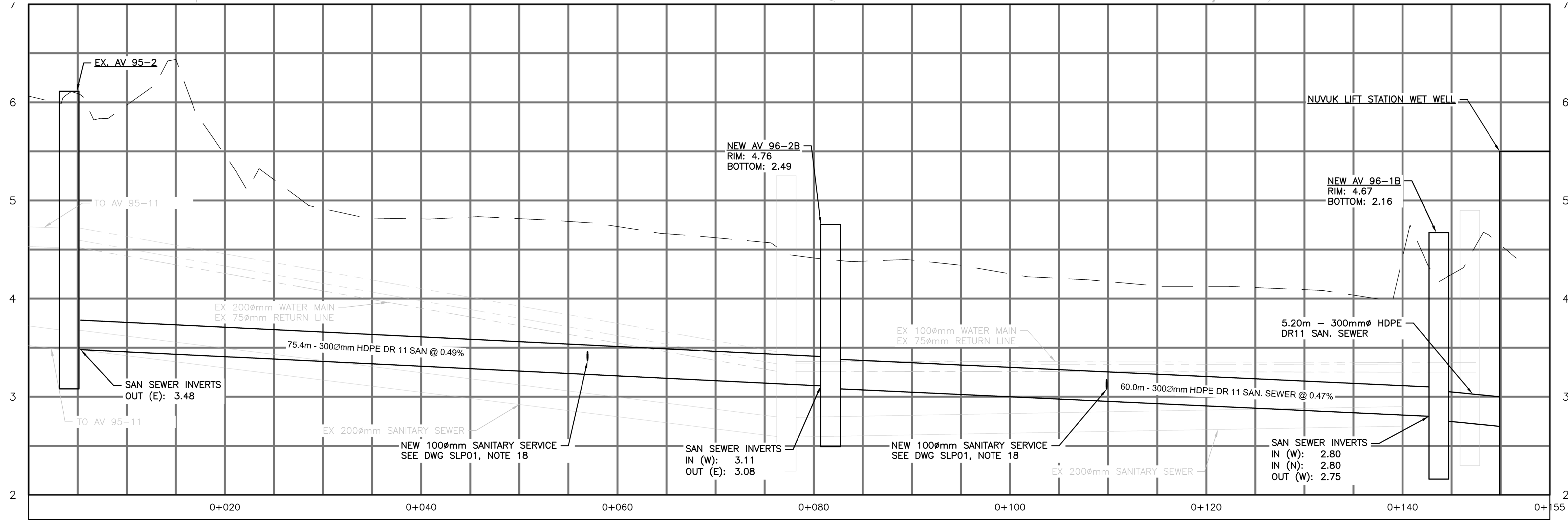
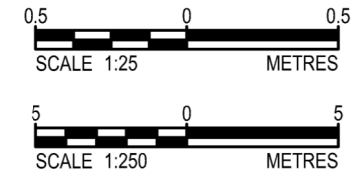


**C11 AV 95-2 THRU NUVUK LIFT STATION**  
1:250

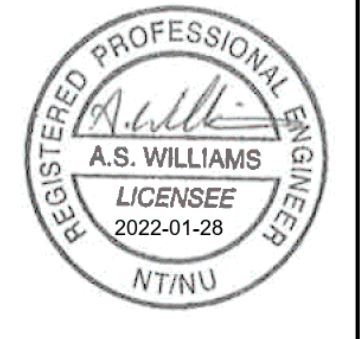


**C11 AV 95-2 THRU NUVUK LIFT STATION - PROFILE (C11)**  
HOR. 1:250  
VERT. 1:25



DILLON CONSULTING LIMITED  
PROJECTS: 2020/DILLON\_5554/2020/02-2020-02-PHASE 2 DWGS CO.DWG PLOTTED BY: ABBOTT, SHANE  
PLOT DATE: 2022-01-24 @ 2:20:13 PM PLOT SCALE: 1:1 PLOT STYLE: DILLON-STANDARD.CTB

**Conditions of Use**  
Verify elevations and/or dimensions on drawing prior to use. Report any discrepancies to Dillon Consulting Limited.  
Do not scale dimensions from drawing.  
Do not modify drawing, re-use it, or use it for purposes other than those intended at the time of its preparation without prior written permission from Dillon Consulting Limited.

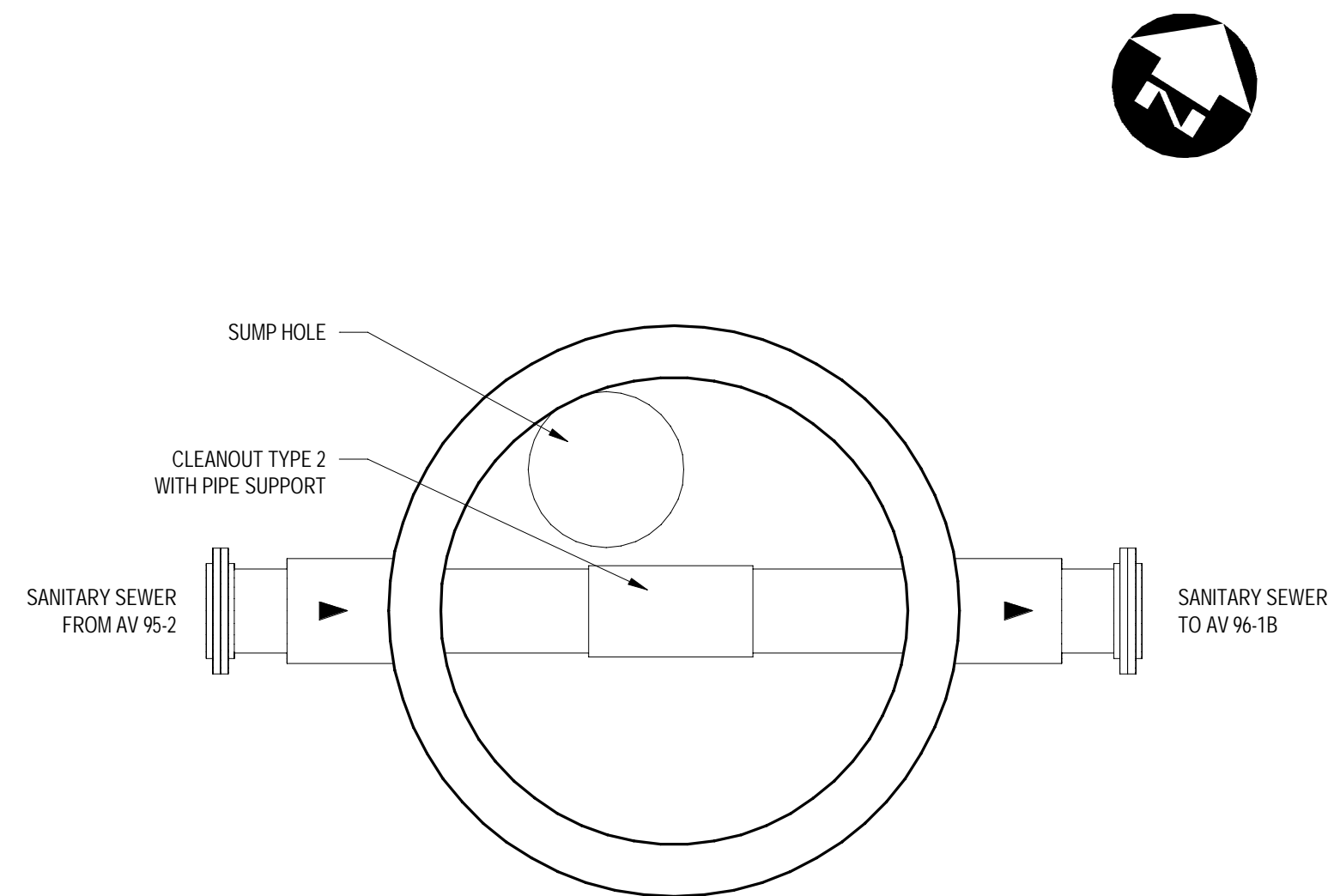


**CONSTRUCTION**



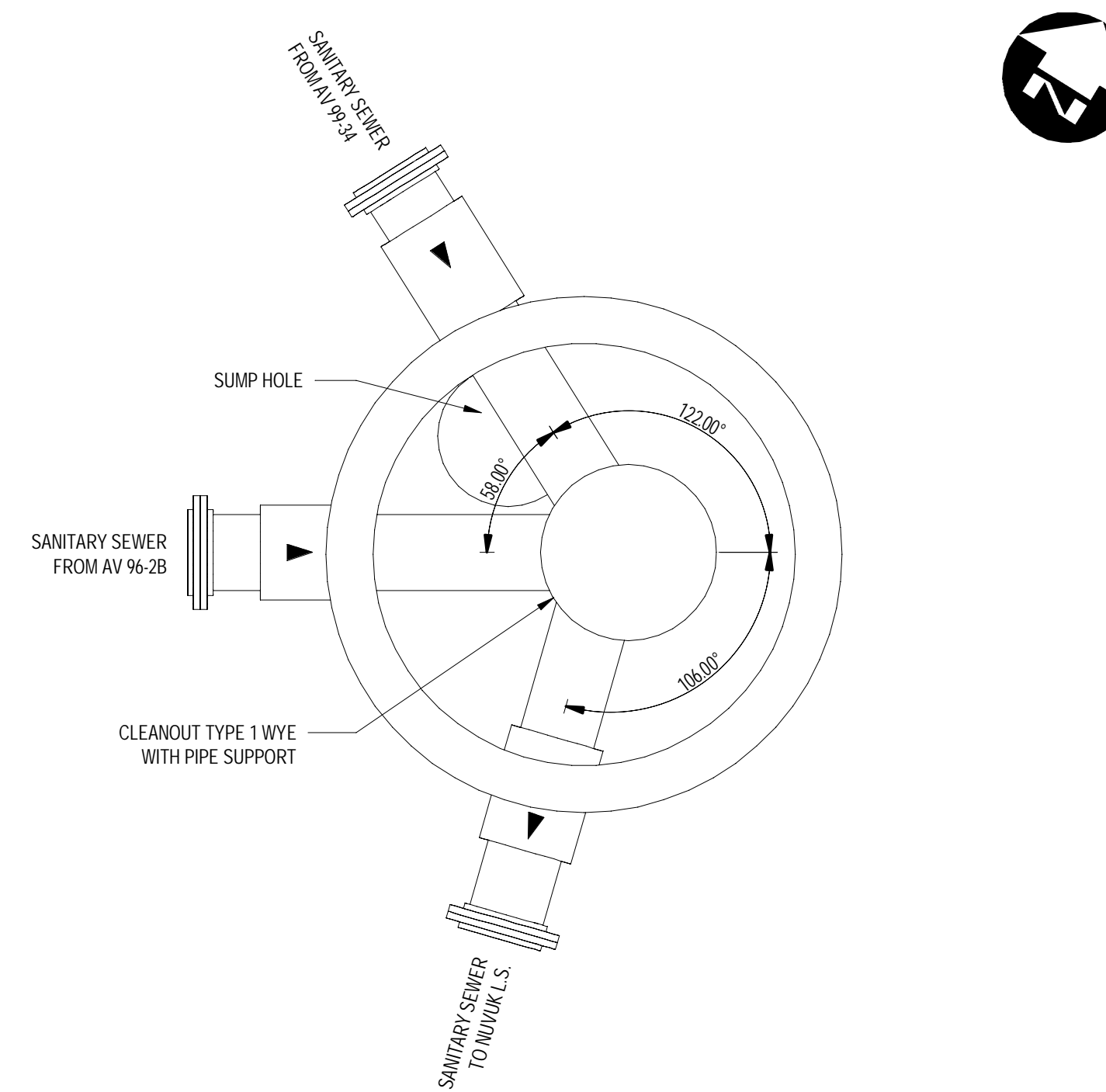
DESIGN	JAA	REVIEWED BY	ASW
DRAWN	SNA	CHECKED BY	JAA
DATE	JANUARY 2022		
SCALE	H 1:250 V 1:25		
2	ISSUED FOR CONSTRUCTION	01/25/2022	ASW
1	CO #1	12/10/2021	ASW
No.	ISSUED FOR	DATE	BY

GOVERNMENT OF NUNAVUT RANKIN INLET UTILIDOR REPLACEMENT		PROJECT NO. 20-3940
JOHNSTON COVE LIFT STATION AV 95-1B THRU NUVUK LIFT STATION SANITARY SEWER PLAN AND PROFILE		SHEET NO. <b>C11</b>



**AV 96-2B PLAN BELOW GRADE**  
SCALE: 1:25

AV 96-2B				
ACCESS VAULT		SANITARY SEWER DIAMETERS (mm) / INVERTS (m)		
TOP (m)	SUMP INVERT (m)	DIAMETER (mm)	AV 95-2 INLET	AV 96-1B OUTLET
4.76	2.78	1830	300 / 3.11	300 / 3.08



**AV 96-1B PLAN BELOW GRADE**  
SCALE: 1:25

AV 96-1B					
ACCESS VAULT			SANITARY SEWER DIAMETERS (mm) / INVERTS (m)		
TOP (m)	SUMP INVERT (m)	DIAMETER (mm)	AV 96-2B INLET	AV 99-34 INLET	NUVUK L.S. OUTLET
4.67	2.45	1830	300 / 2.80	300 / 2.80	300 / 2.75

PLOT DATE: 2022/01/26 9:21:50 AM  
 FILE NAME: U:\m674862990-16\NUVUK VAULTS.CONV

**Conditions of Use**  
 Verify elevations and/or dimensions on drawing prior to use. Report any discrepancies to Dillon Consulting Limited.  
 Do not scale dimensions from drawing.  
 Do not modify drawing, re-use it, or use it for purposes other than those intended at the time of its preparation without prior written permission from Dillon Consulting Limited.



CONSTRUCTION



No.	ISSUED FOR	DATE	BY
2	ISSUED FOR CONSTRUCTION	01/25/2022	ASW
1	CO #1	12/10/2021	ASW

DESIGN	REVIEWED BY
JAA	ASW
DRAWN	CHECKED BY
SCC	JAA
DATE	JANUARY 2022
SCALE	As indicated

GOVERNMENT OF NUNAVUT  
 RANKIN INLET UTILIDOR REPLACEMENT

NUVUK LIFT STATION  
 ACCESS VAULTS PLANS AND TABLES  
 AV 96-2B AND AV 96-1B

PROJECT NO:  
20-3940

SHEET NO:  
**C12**