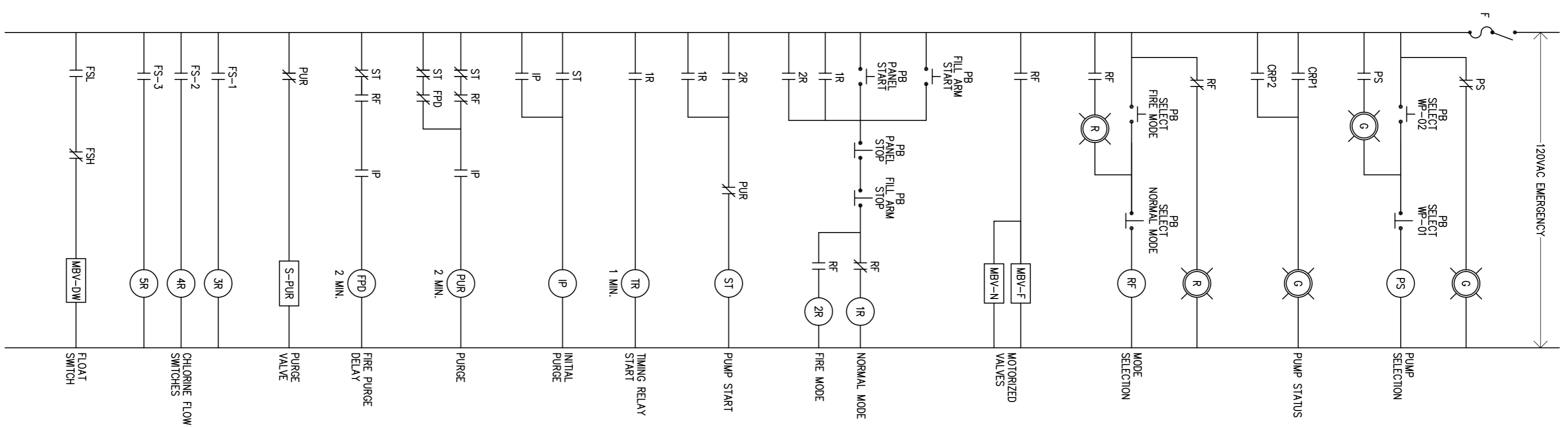
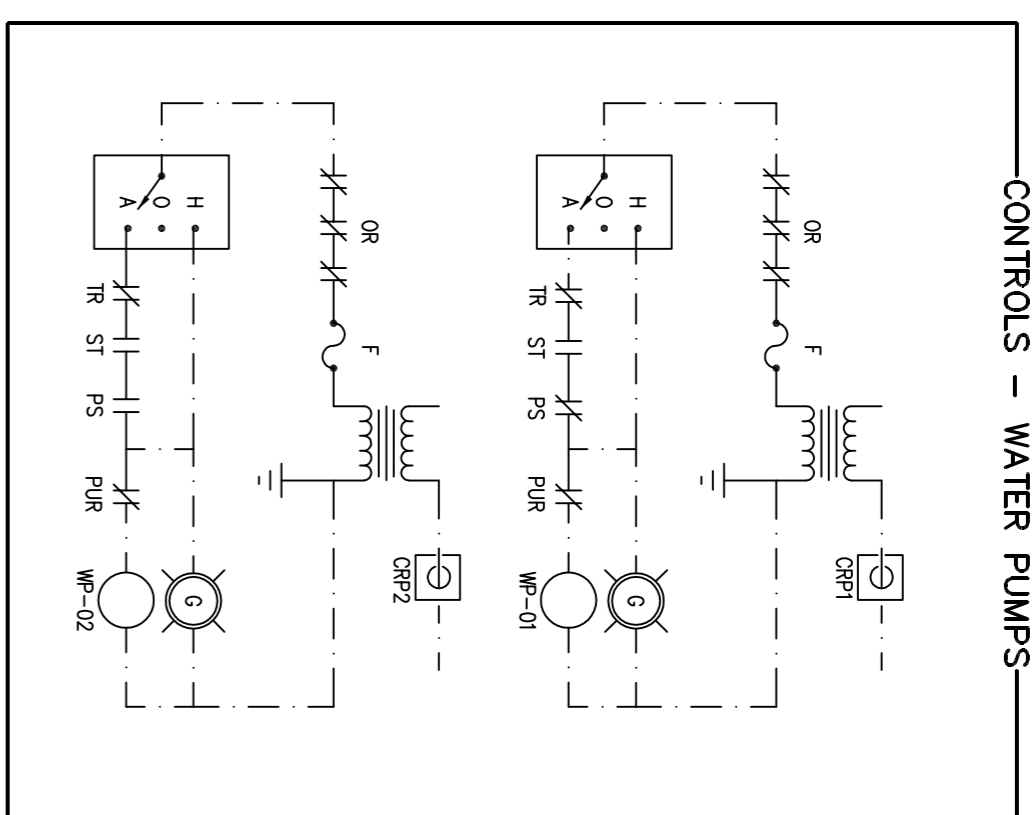


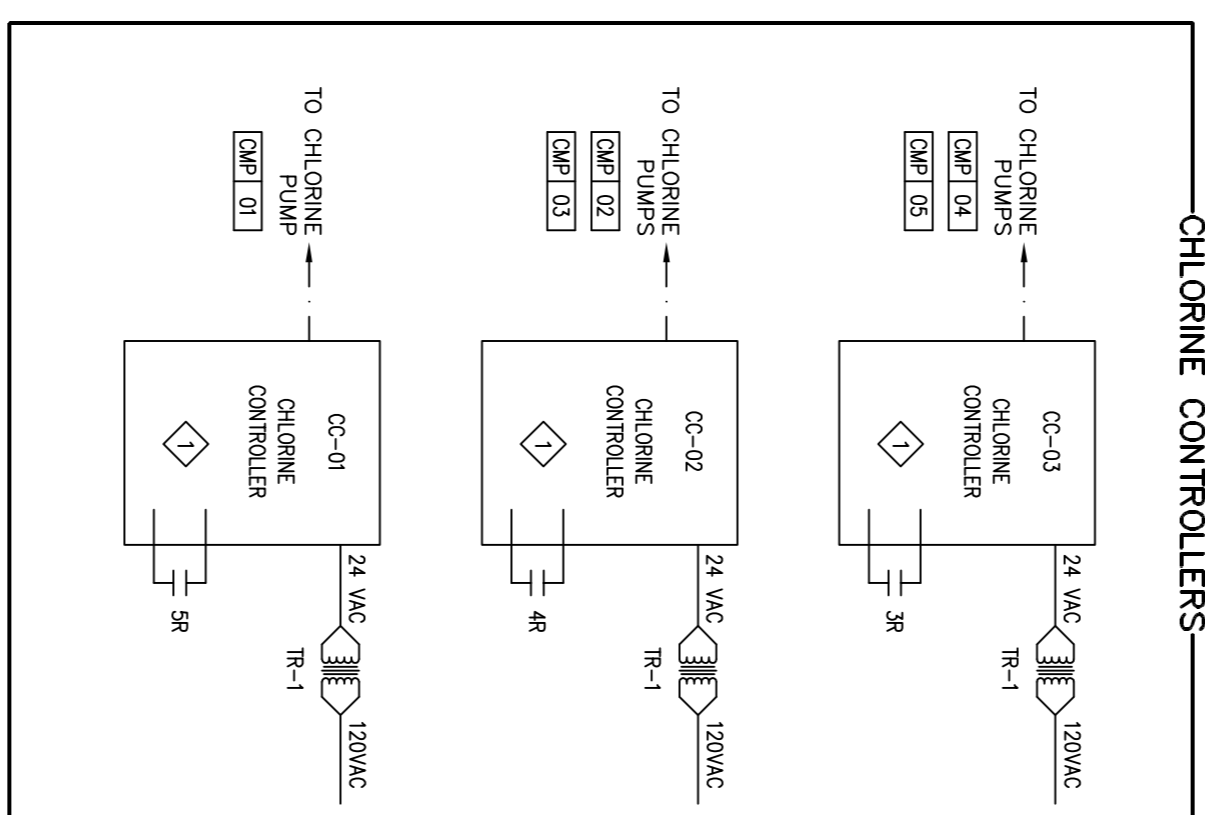
WATER SYSTEM – CONTROL SCHEMATICS



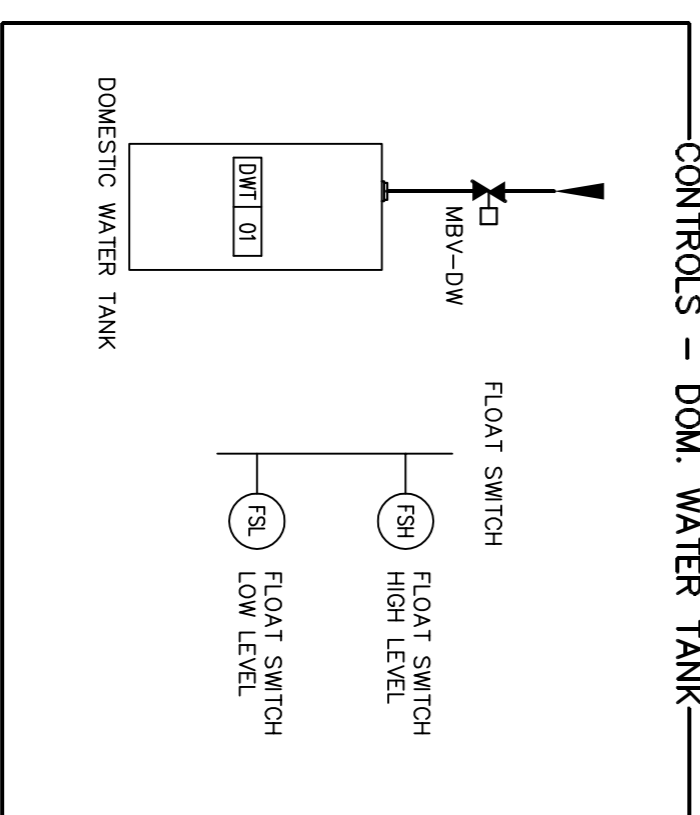
PANEL CP-01



CONTROLS – WATER PUMPS



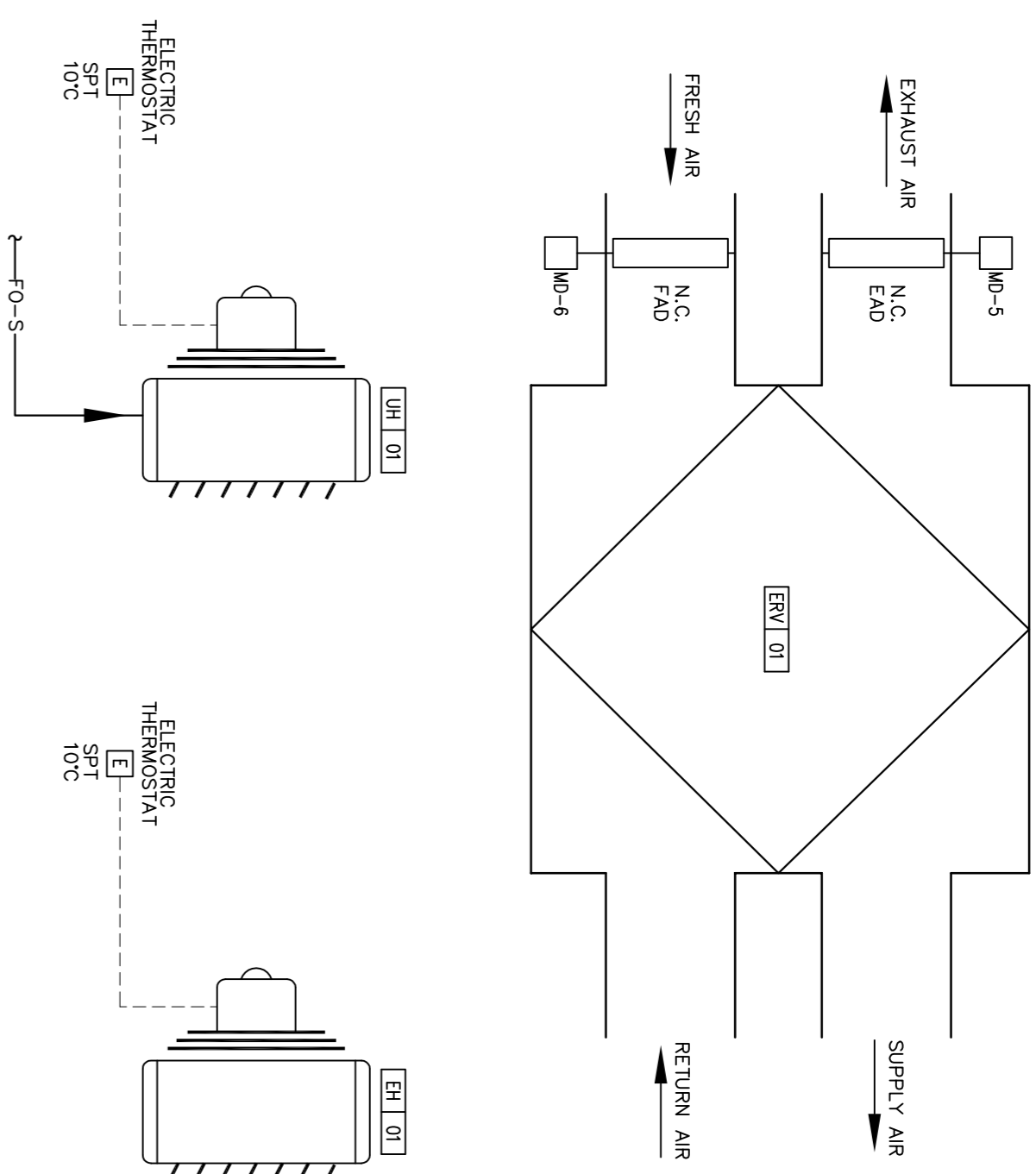
CHLORINE CONTROLLERS



CONTROLS – DOM. WATER TANK

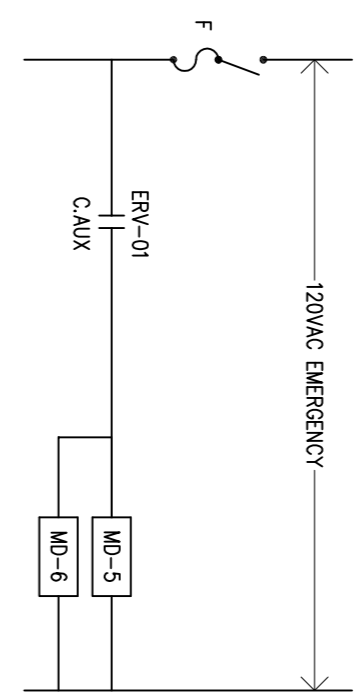
◇ CHLORINE CONTROLLER BY DIVISION 23, DIVISION 25 TO PROVIDE 24V POWER SUPPLY AND START/STOP CONTACT TO CONTROLLER

MECHANICAL & CHLORINE ROOM – VENTILATION

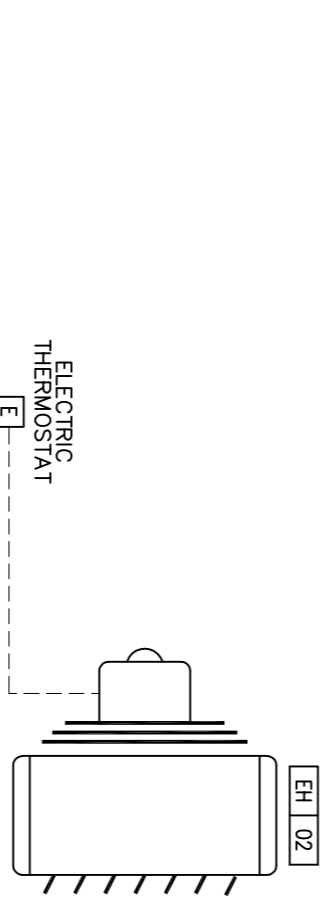


MECHANICAL ROOM – UNIT HEATER
REFER TO MECHANICAL DRAWINGS FOR LOCATION.

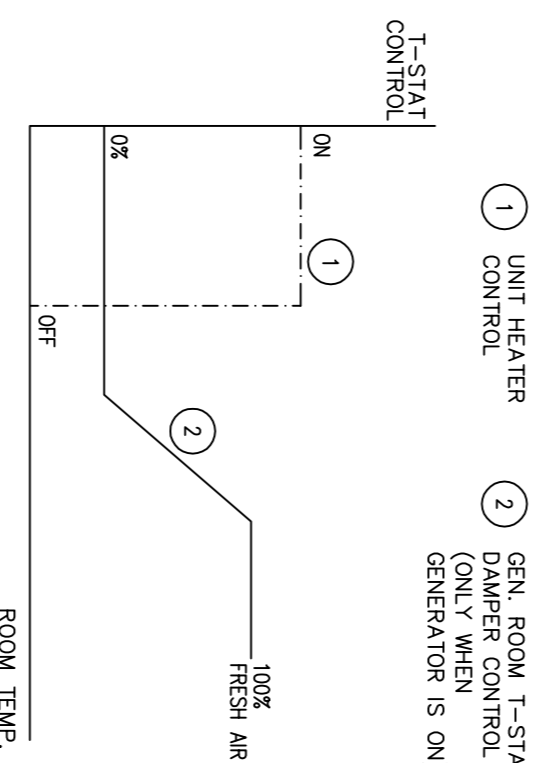
CHLORINE ROOM – UNIT HEATER
REFER TO ELECTRICAL DRAWINGS FOR LOCATION.



GENERATOR ROOM – VENTILATION

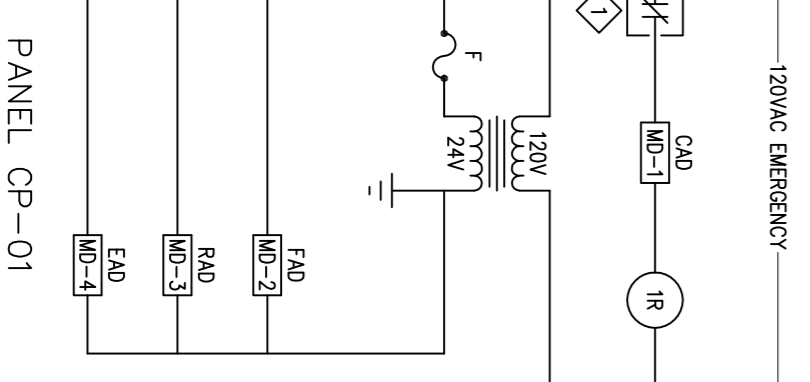
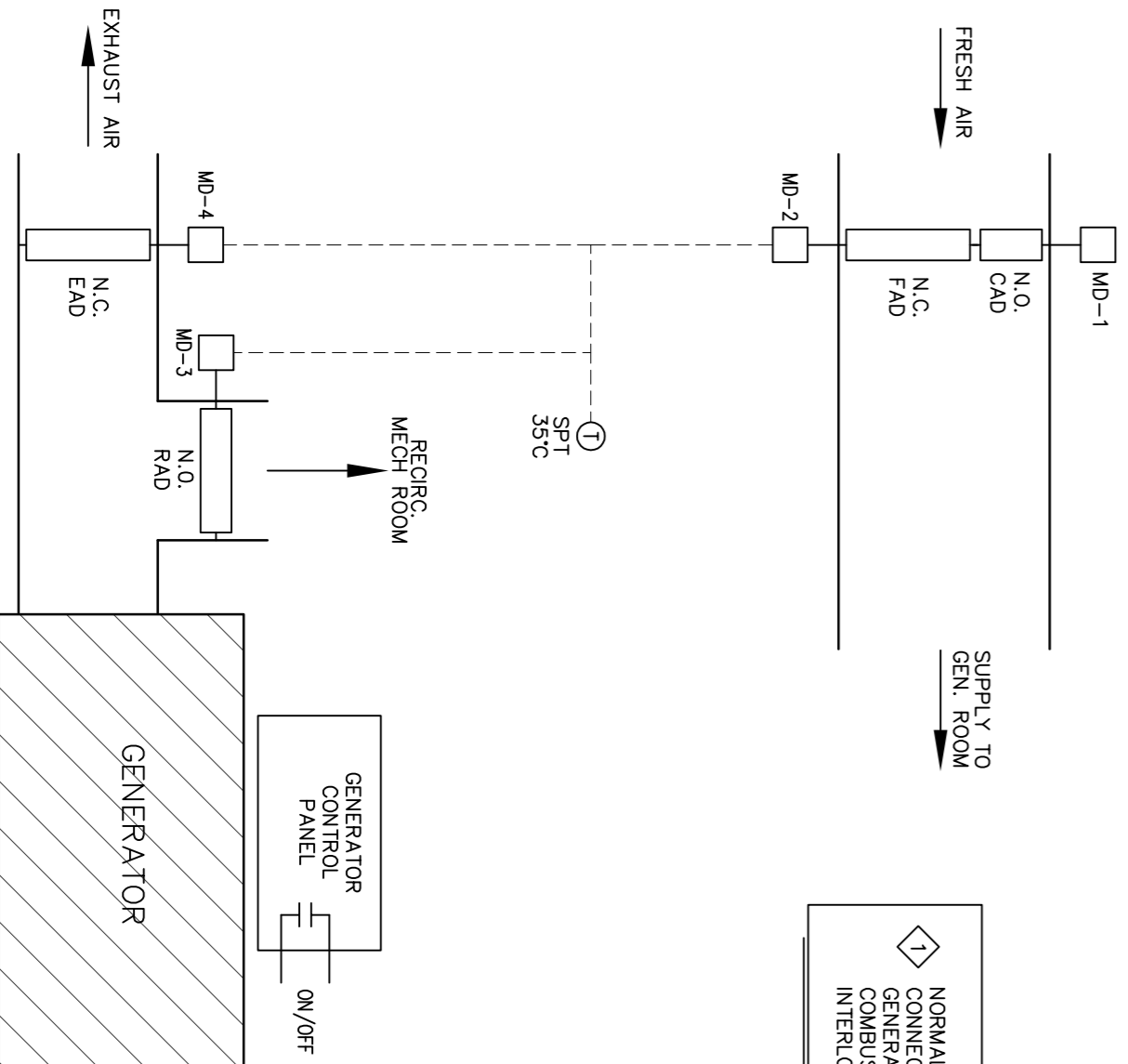


GENERATOR ROOM – UNIT HEATER
REFER TO ELECTRICAL DRAWINGS FOR LOCATION.



- 1 UNIT HEATER CONTROL
- 2 GEN. ROOM T-STAT DAMPER CONTROL (ONLY WHEN GENERATOR IS ON)

◇ NORMALLY CLOSED CONTACT CONNECTED DIRECTLY TO COMBUSTION AIR DAMPER INTERLOCK.



PANEL CP-01



NOTES: GENERAL CONTRACTOR TO VERIFY ALL DIMENSIONS WITH FINAL ARCHITECTURAL AND MECHANICAL DRAWINGS. NOTIFY THE ENGINEERS OF ANY ERRORS AND/OR OMISSIONS IMMEDIATELY UPON DETECTION FOR CORRECTION. DO NOT SCALE THIS DRAWING.

No.	DESCRIPTION	DATE	BY
1	ISSUED FOR REVIEW	03/07/2013	JAP/UD
2	ISSUED FOR 75% REVIEW	22/03/2013	
3	ISSUED FOR 90% REVIEW	06/12/2013	

bpa
 Ottawa : 420 rue...
 T. (613) 596-6454 F. (613) 596-3346
 www.bpa.ca

exp
 Consulting Engineers

CLIENT
 GOVERNMENT OF NUNAVUT
 DEPARTMENT OF COMMUNITY
 AND GOVERNMENT SERVICES

PROJECT
 CORAL HARBOUR, NUNAVUT
 NEW PUMPING STATION

TITLE
 MECHANICAL
 CONTROLS SCHEMATICS

PROJECT NO. 8011-116
 DRAWING NO. M600
 DATE: DECEMBER 2013